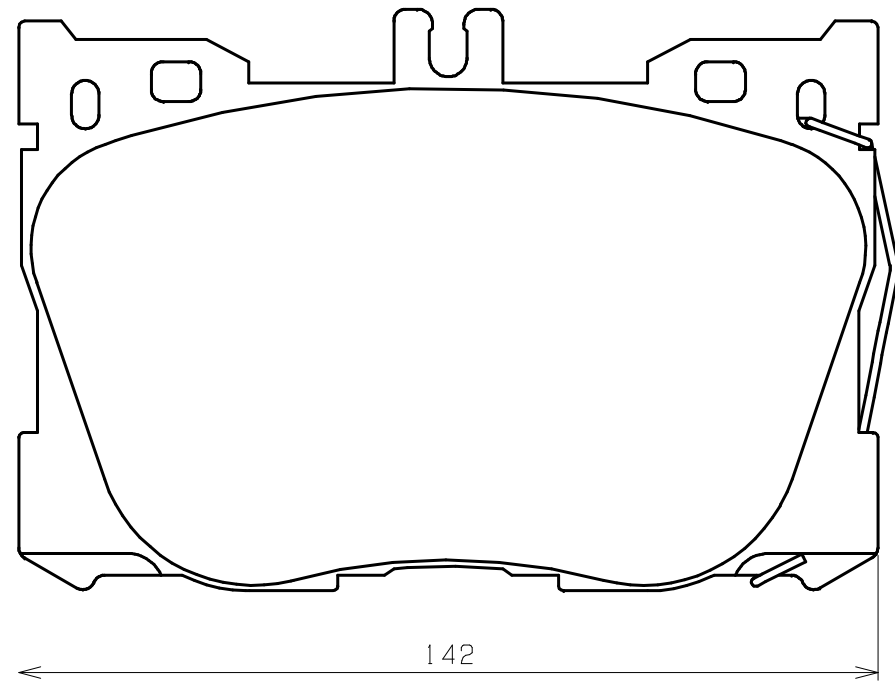


96.2



Thickness : 19.0

Part No : EIP270